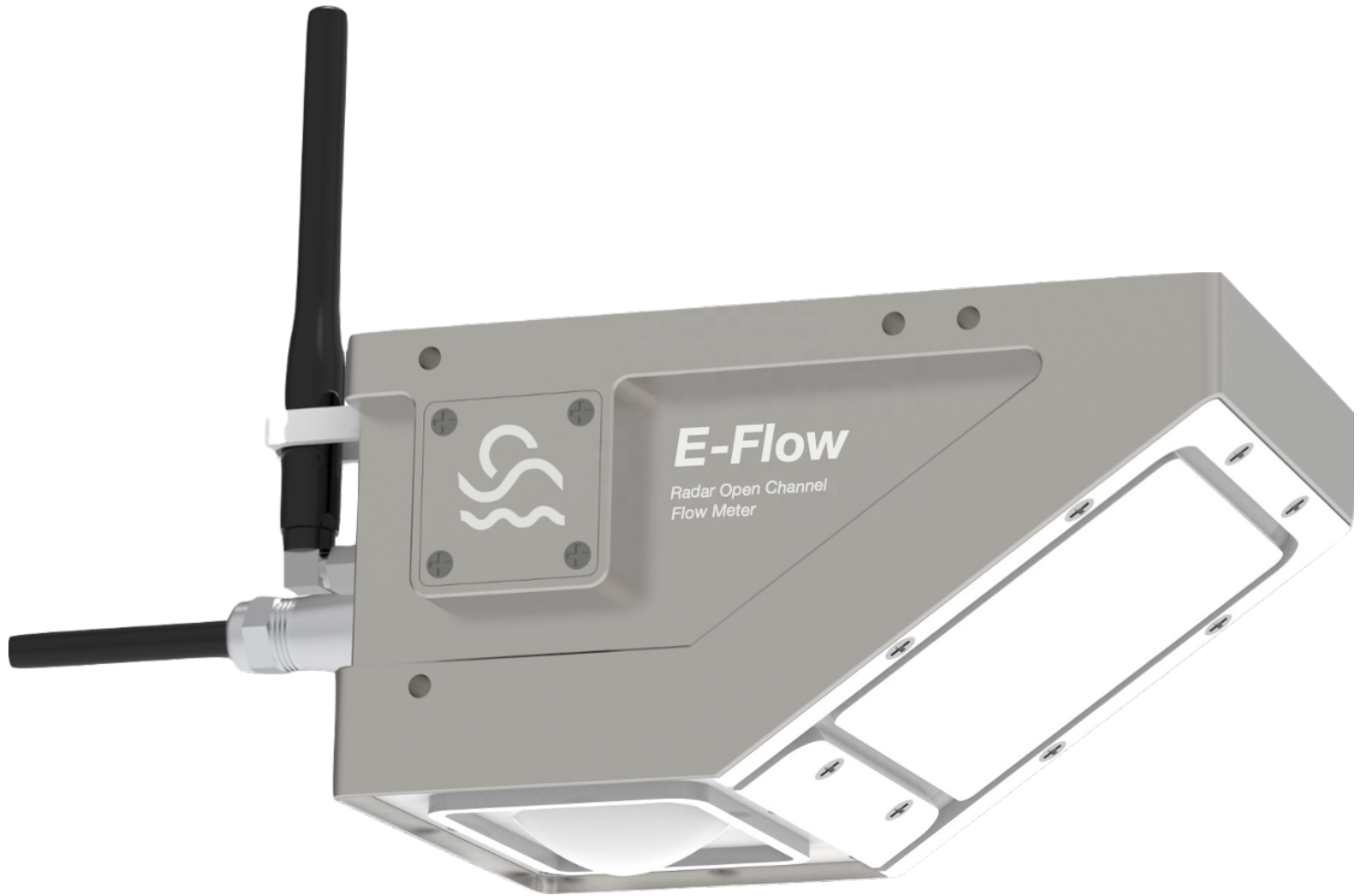


EDS E-Flow

Radar Open Channel Flow Meter



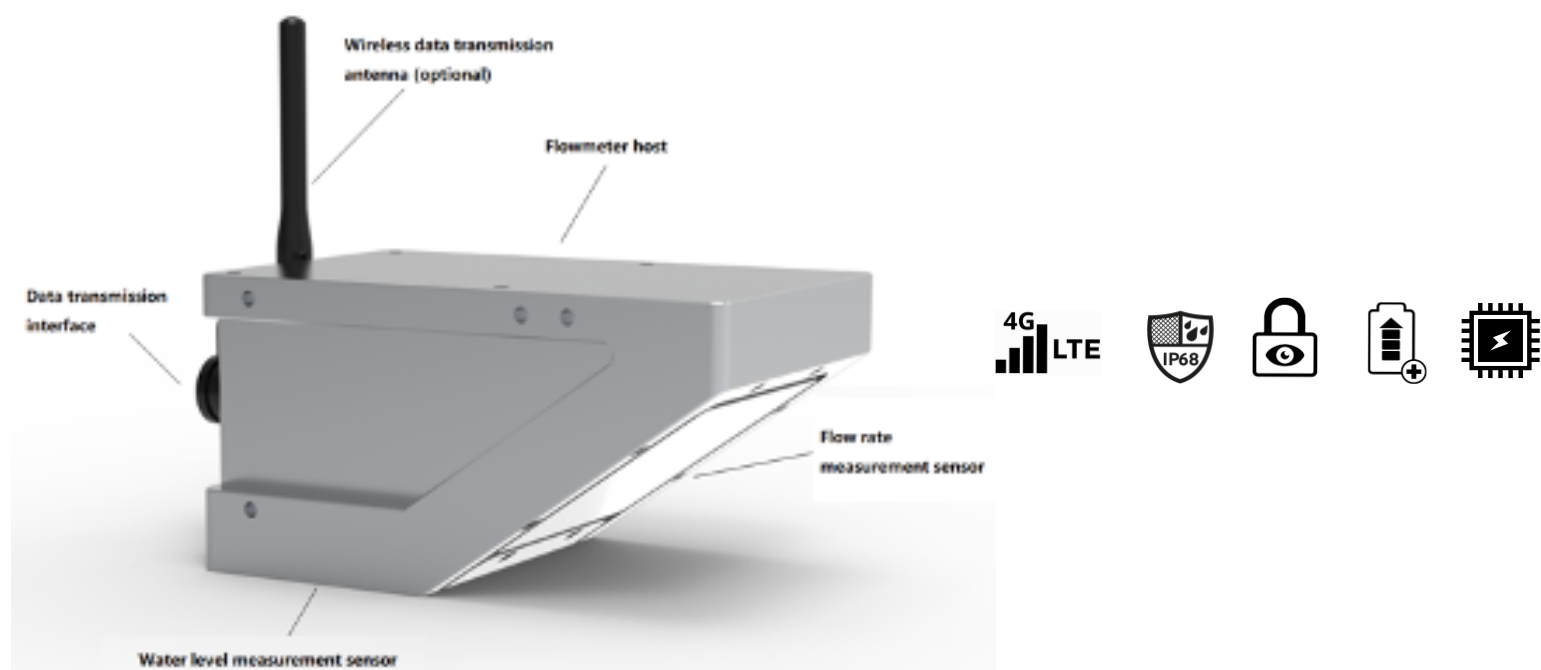
Velocity - Level - Flow

IP68 Waterproof Housing

4G Wireless Communication

Product Features

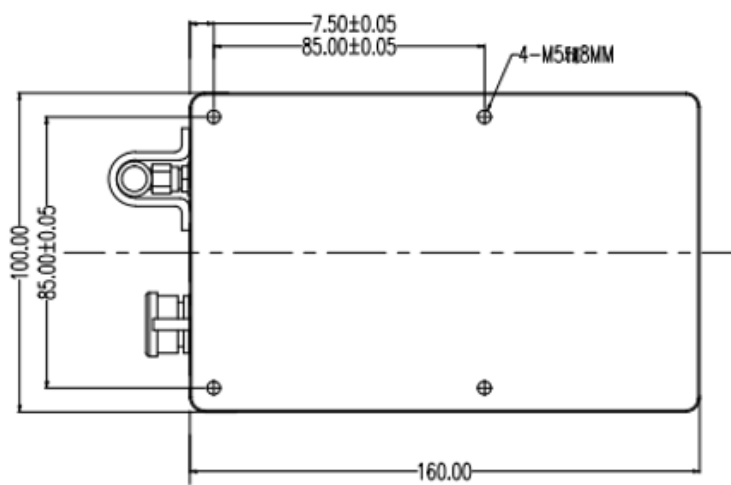
- The EDS Flo-Pro is a non-contact and integrated flow monitoring device that can continuously measure flow rates, water level and velocity.
- Standalone 4G field deployment for short and long term projects.
- Measure flow in any channel shape.
- With the Flow Pace Software package you can configure and take complete control of your flow meter.
- High storage battery capacity provides 2 years of field deployment. Connect the optional solar panels for permanent monitoring.*
- Remote telemetry platform allows data access from any location.
- Supports both digital (RS485 & RS2320 and analogue (4-20mA)) transmission using standard Modus-RTU protocol.
- 4G wireless communication.
- Compact size and ultra low power consumption (3.5 - 4.3V power supply)
- Applications include open channel, rivers, irrigation channels, underground sewer networks and stormwater networks.
- Waterproof grade IP68, rugged housing allows for effective use in harsh conditions.



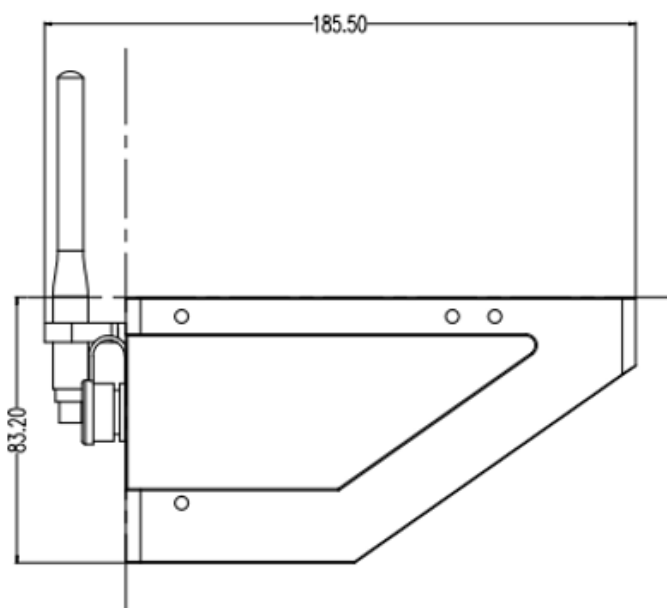
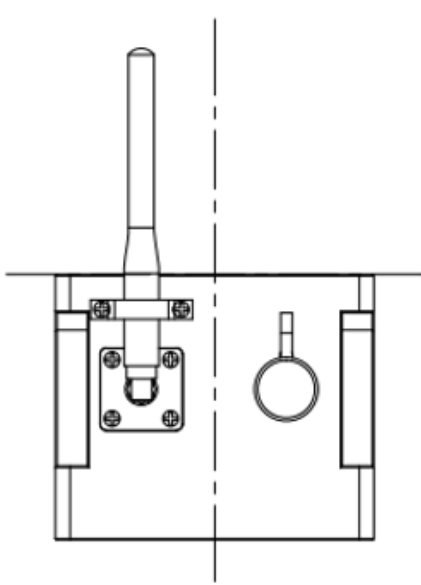
Installation

- Open Channel Sewer Flow Monitoring
- Long & Short Term Flow Monitoring
- Stormwater Networks
- Rivers & Stream Flow Monitoring
- Irrigation Channels

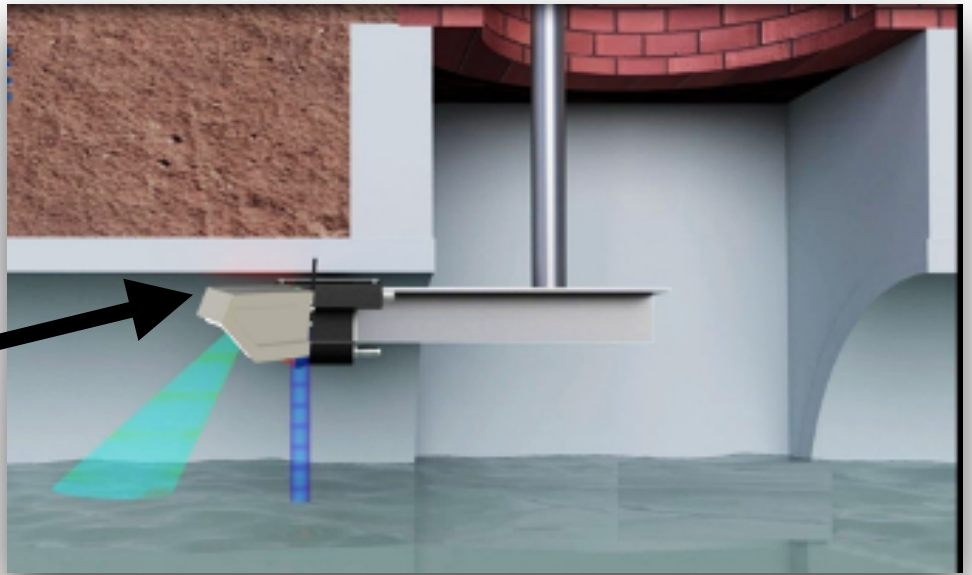
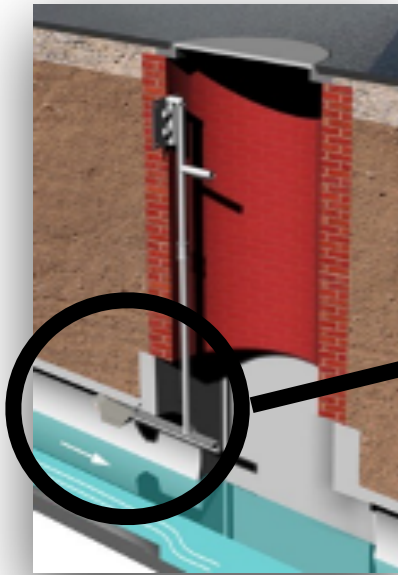
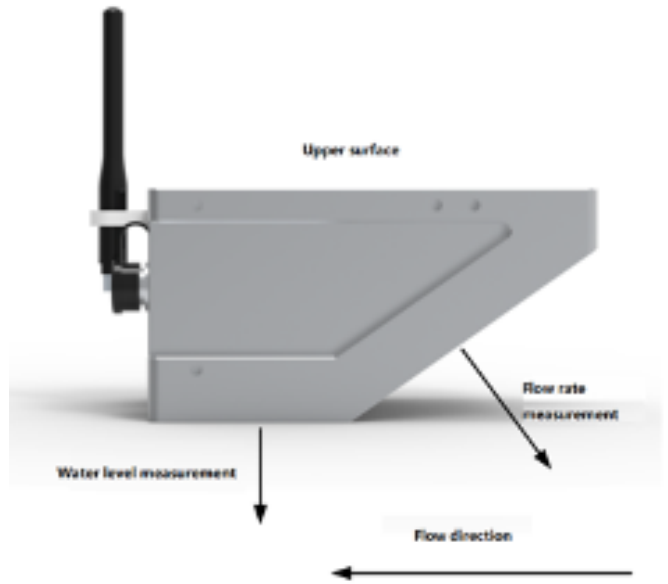
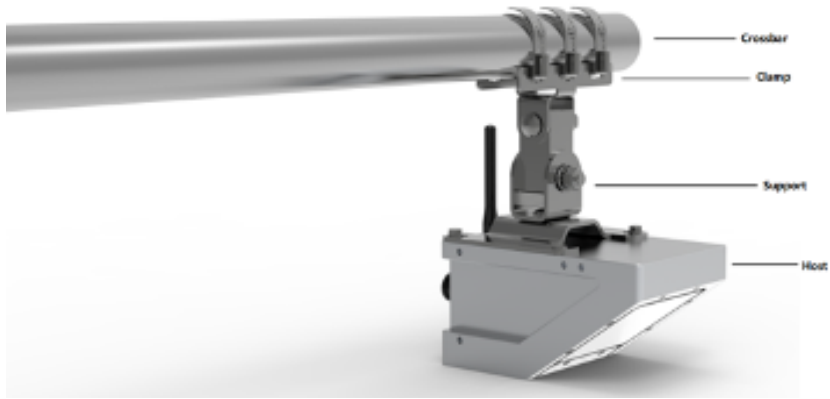
Dimensions



Unit size without antenna = 160mm x 100mm x 83.2mm



Mounting Options



Specifications

Flow measurement system	
Measuring principle	Planar microstrip array antenna CW + PCR
Operating mode	Manual, automatic, telemetry
Applicable environment	24 hours, rainy day
Operating temperature	-30~80℃
Operating Voltage	7-32V / 5.5-32V (optional) DC power supply
Working current	12VDC input, working mode: $\leq 28\text{mA}$ standby mode: $< 1\text{mA}$
Protection level	IP68
Lightning protection level	6KV
Physical dimension	160*100*80 (mm)
Weight	< 1KG
Radar speed sensor	
Radar power	100mW
Radar frequency	24GHz
Maximum range	40m
Speed range	0.03m/s~20m/s (related to water flow)
Speed measurement accuracy	$\pm 0.01\text{m/s}$; $\pm 1\%\text{FS}$
Radar current meter beam angle	12°
Measuring direction	Automatic recognition of water flow direction, built-in vertical angle correction vertical angle correction
Radar water level gauge	
Radar frequency	60GHz
Radar Ranging range	0.2~7.0m
Radar Ranging accuracy	$\pm 2\text{mm}$
Antenna angle	8°
Data transmission system	
Data transmission type	RS485/ RS232,4~20Ma,4G RTU, LORA/LORAWAN