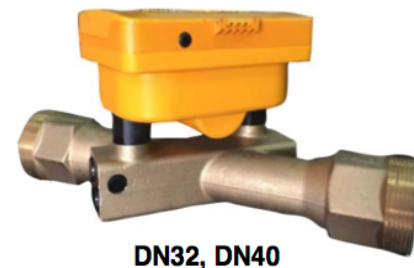


ultraD Ultrasonic Small Size Water Meters

Features

- Ultrasonic transit-time measuring principle for precise metering
- Small size direct reflection technology, no moving parts and exposed parts
- Excellent long-term stability and reliability
- Battery powered - above 10 years lifetime
- Superior hydraulic design, U0/D0, no installation requirement of straight pipe
- Extremely sensitive and accurate in low flows
- Fully submersible design (IP68)
- Wireless data transmission and GPRS remote meter reading



Technical Specifications

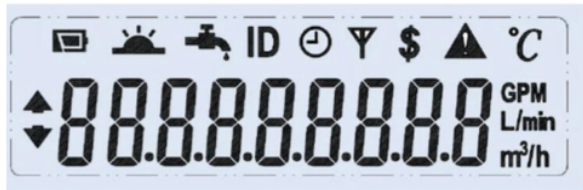
Maximum Working Pressure	1.6MPa
Temperature Class	T30, T50, T70
Accuracy Class	Class 2 (ISO4064:2005, Class 1 customizable)
Battery Powered	6 years lifetime (10 years customizable)
Ingress Protection	IP68
Environment Temperature	-20~70°C, ≤100%RH
Pressure Loss	Δp25
Climatic and Mechanical Environment	Class C
Display	9 digit LCD Display + prompts Cumulative flow (m ³ , L, GAL), Instantaneous flow (m ³ /h, L/min, GPM), Flow direction, Low battery alarm, Output mode, Leak detection, etc.
Connections	Threads
Electromagnetic Environment Class	E1
Flow Profile Sensitivity	U3/U0, U0/D0
Date Storage	Store the data in last 7×24h, 365 days and 72 months
Output (optional)	RS485 (ModBus), M-Bus, OCT pulse, 4-20mA
Accessories	Wireless GPRS/GSM, Wireless handheld operator
Related Patents	ZL 2012 3 0466985.9, ZL 2011 2 0033304.X and ZL 2015 2 0007268.8





Sold & Serviced By: Environmental Data Services




Phone: 1300 721 683

Website: <http://www.e-d-s.com.au/>

Digital Display



-  Battery
-  IR Communication
-  Leak detection
-  ID

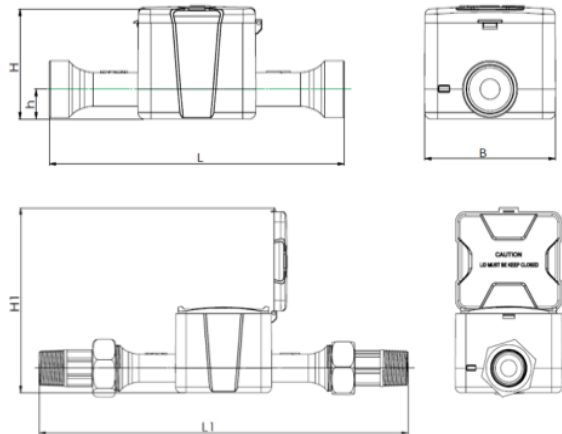
-  Time
-  Communication Status
-  Alarm
-  Temperature

Measuring Range*

Meter Size		R Q3/Q1	Starting Flow (m³/h)	Q1 (m³/h)	Q2 (m³/h)	Q3 (m³/h)	Q4 (m³/h)
(mm)	(inch)						
15	1/2	250	0.001	0.01	0.016	2.5	3.125
20	3/4	250	0.001	0.016	0.025	4	5
20	3/4	250	0.001	0.025	0.042	6.3	7.875
25	1	250	0.002	0.04	0.064	10	12.5
32	1 1/4	500	0.003	0.05	0.08	25	31.25
40	1 1/2	500	0.005	0.08	0.125	40	50

Dimensions*

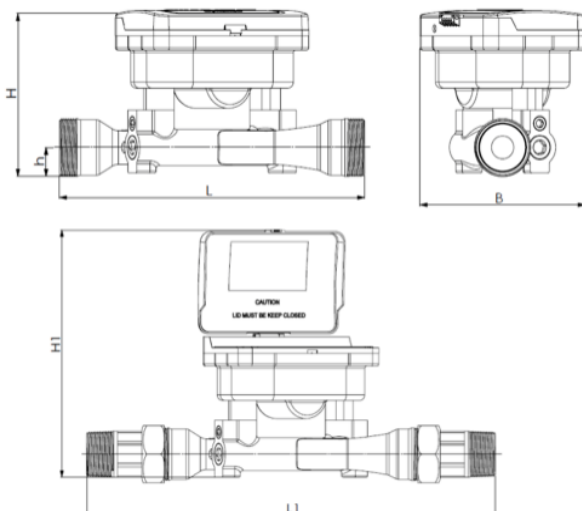
Meter Size	(mm)	15	20	25	32	40
	(inch)	1/2	3/4	1	1 1/4	1 1/2
L- Length (mm)		165	195	225	260	300
B - Width (mm)		100	100	100	90	130
H - Height (mm)		83	83	83	130	132
H1 - Height (mm)		166	166	166	226	225
h - Height (mm)		22	22	22	19	20
L1-Length (mm)		260	290	345	385	430
Weight (kg)	SS	1.0	1.2	1.4	4.8	6.5
	Brass	0.14	0.52	0.81	1.57	3.39



DN15-DN25

Remarks *Other requirements customizable

DN32, DN40



Sold & Serviced By: Environmental Data Services

Phone: 1300 721 683

Website: <http://www.e-d-s.com.au/>